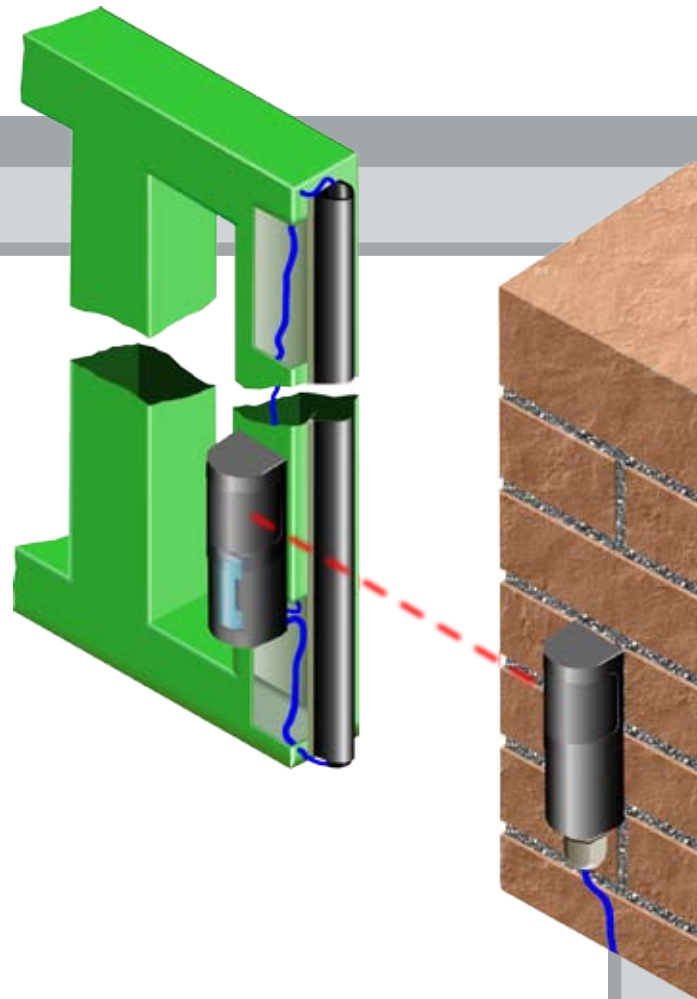


Safety is easy!

- The new DCW safety device guarantees a quick and effective solution to any safety problem for sliding gates.
- In fact, it is not only an adjustable photocell, but it also allows managing an infrared or resistive safety edge, by the battery powered transmitter.
- Thanks to the internal rotating lens, installation can be adjusted up to 180° horizontally and 20° vertically, avoiding any alignment problem.



PRODUCT REFERENCE	P111410
AVAILABILITY DATE	1 MARCH 2009

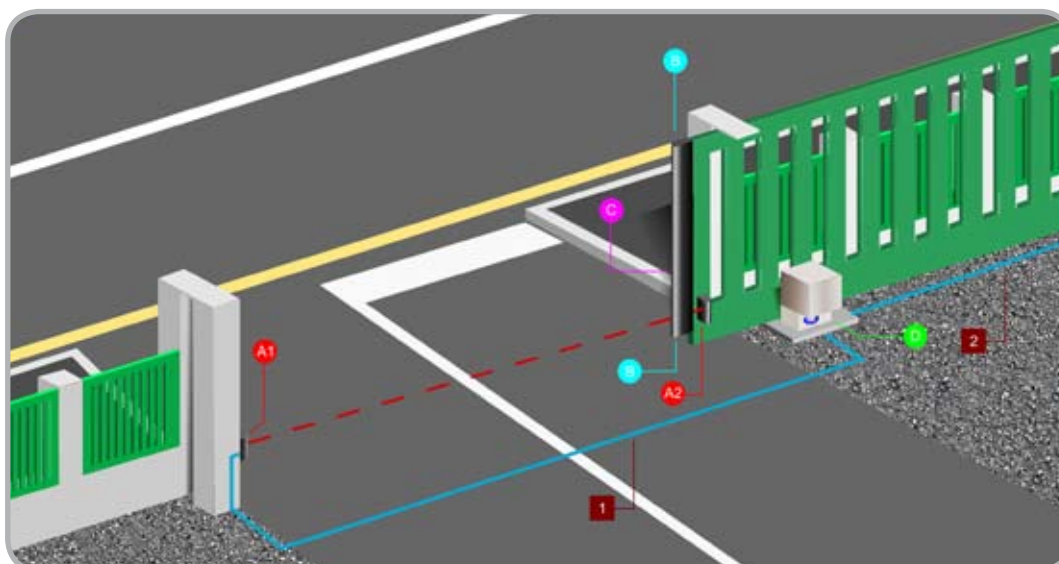


CHARACTERISTICS

- Battery powered transmitter
- Infrared lens, adjustable up to 180° horizontally and 20° vertically
- Active safety edge management
- Range up to 15m
- Lithium battery, type C

ADVANTAGES

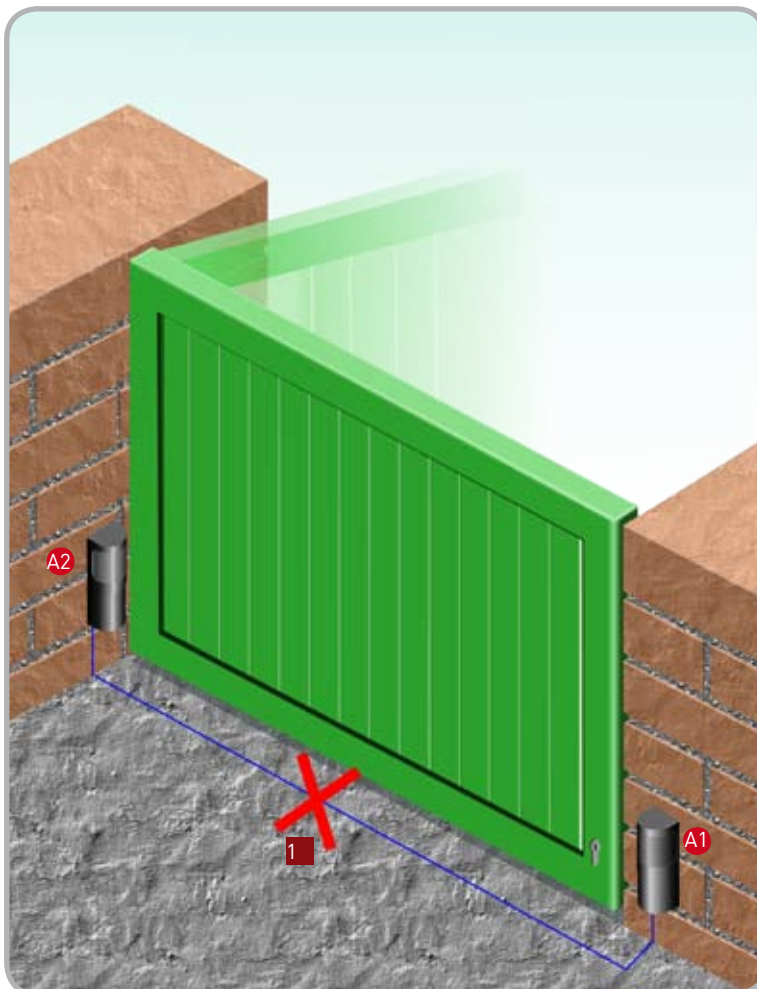
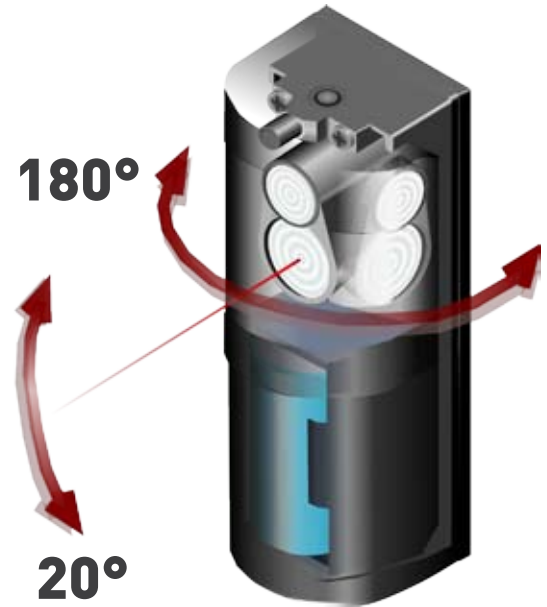
- Installation on moving leaves is possible (sliding gates) sending obstacle detection signal from the safety edge to the control unit
- Installation is possible even in those places where wiring is prevented
- Installation is possible on any support, even on unparallel walls
- No need to realize 90° stirrup
- Real easy wiring and active safety edge management on sliding gates
- No wiring is needed between the moving leaf and the control board
- Suitable for any kind of gate
- Real long life cycle (up to 5 years)
- Low battery indicating Led (blinking for few months before the complete discharge)



- A1** DCW receiver
- A2** DCW transmitter
- B** STR infrared sensor
- C** BIR C or BAR C
- D** Sliding gates motor ICARO
- 1** Cable 9x0,5mmq
- 2** Supply cable 3x1,5mmq

Adjustable: real easy installation!

- The DCW safety device integrates infrared double beam lens: one for the safety edge management, and one for the photocell management.
- The lens is assembled on a spherical joint, which allows adjusting the infrared ray inclination up to 180° horizontally and up to 20° vertically, in a real easy and quick way.
- Any installation problem caused by the unparallel walls are avoided (look at the picture below), so that installation possibilities are increased and the time needed for them is reduced.



Wireless: no cable, no building activity!

The DCW transmitter is powered by a type C Lithium battery, with a capacity of no less than 7,5Ah which guarantees a 5 years life cycle* for the battery itself. Thanks to that, it becomes possible to install the DCW simply as a photocell, in any situation where building or excavation activities are not allowed: valuable paving, pre-existent gates, etc...

(*) The life cycle has been estimated considering an installation with a 4m stroke, a 9m/min speed, an automatic closing time set on 10 seconds, 30 man/day, with optical edge up to 2,5m and a +20°C temperature.

- A1** DCW receiver
- A2** DCW transmitter
- 1** Unnecessary cable